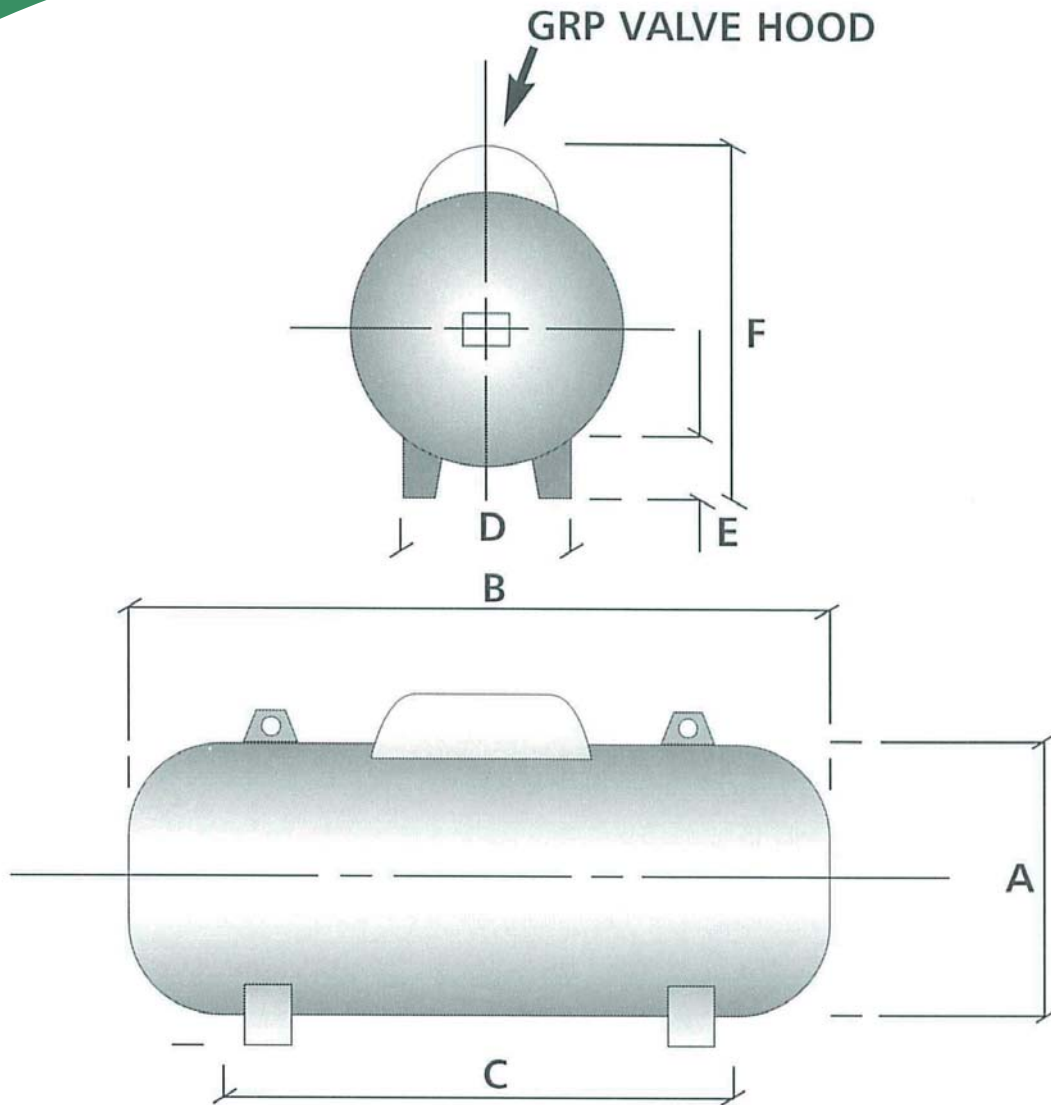




Energy Solutions

Above Ground 2000 Kilo Propane Tank



Tank Dimensions				Vaporisation
Height	Width	Length	Weight	Btu/HR3
1.5m	1.2m	4.4m	1000Kg	1,020,000

Safety Distances		Excavation Size		
Normal	Firewall	Depth	Width	Length
7.5m	4m	150mm	1.2m	4.4m

Vessel Data	2000 Kilo
'A' diameter (mm)	1200
'B' Length (mm)	4388
'C' Over Legs (mm)	2640
'D' Over Legs (mm)	800
'E' Height of Legs (mm)	250
'F' Height (mm)	1650